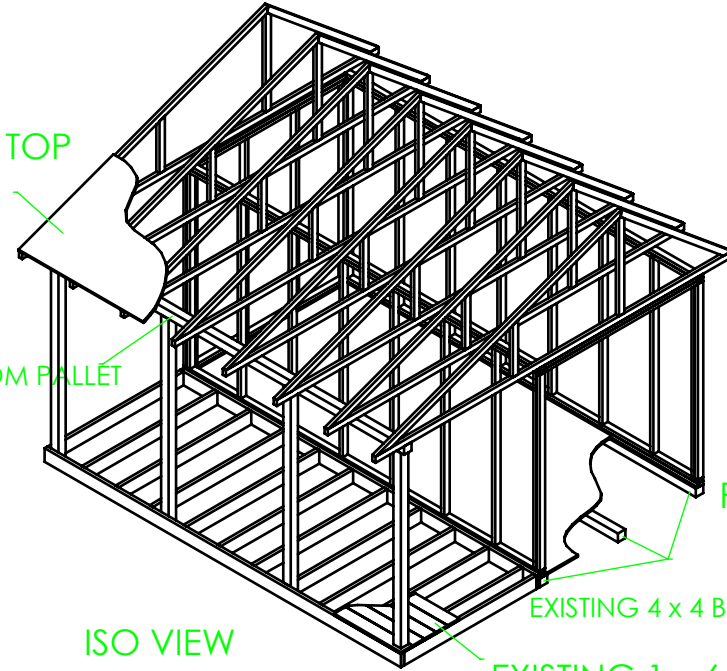


SECTION A-A

EXISTING 4 x 4 BEAM FROM PALLET

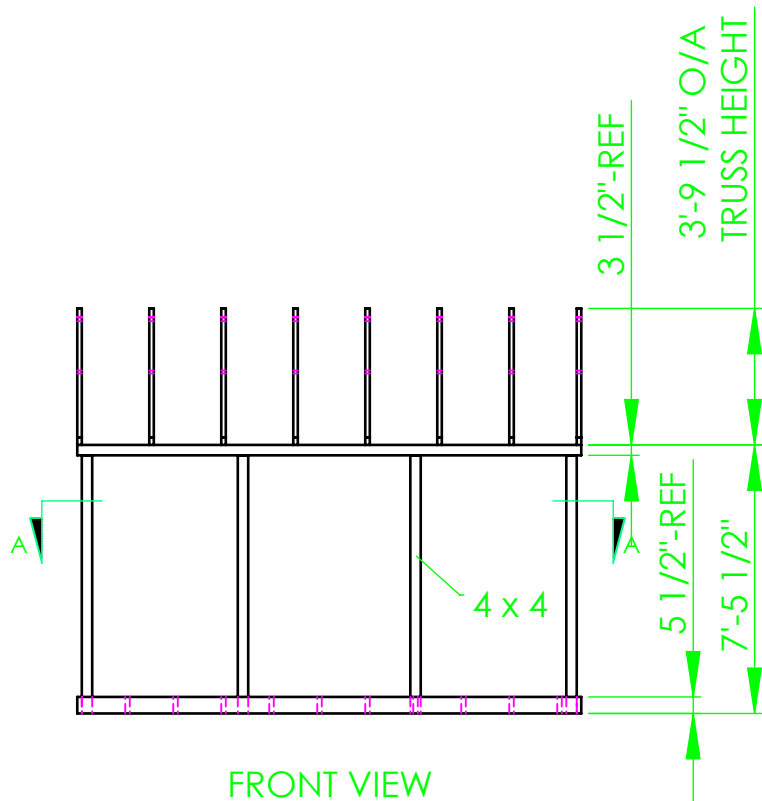
ROOF TOP



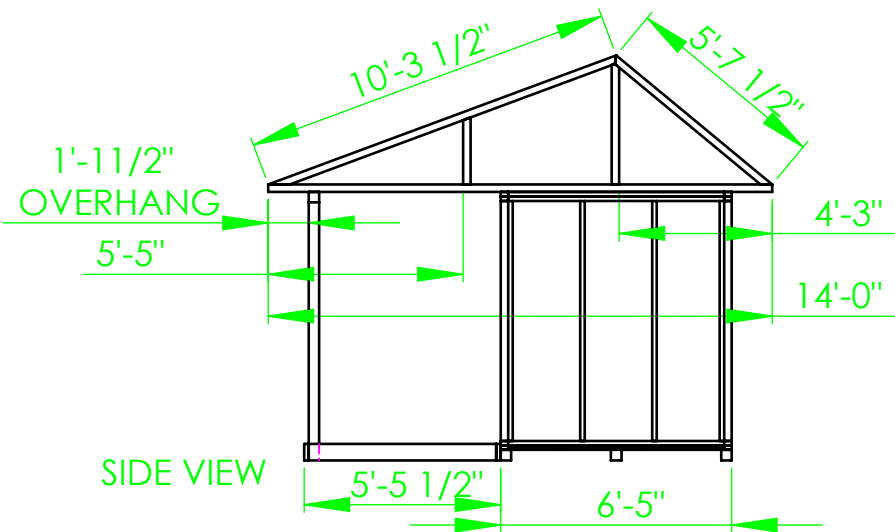
ISO VIEW

EXISTING 4 x 4 BEAMS FROM PALLET

EXISTING 1 x 6 DECKING



FRONT VIEW



SIDE VIEW