



Factory Five Racing, Inc.

Hot Rod

Assembly manual revision 2G update

Table of Contents

Door..... 1
 Door hinge fitment..... 1
 Hood Hinge Striker 2

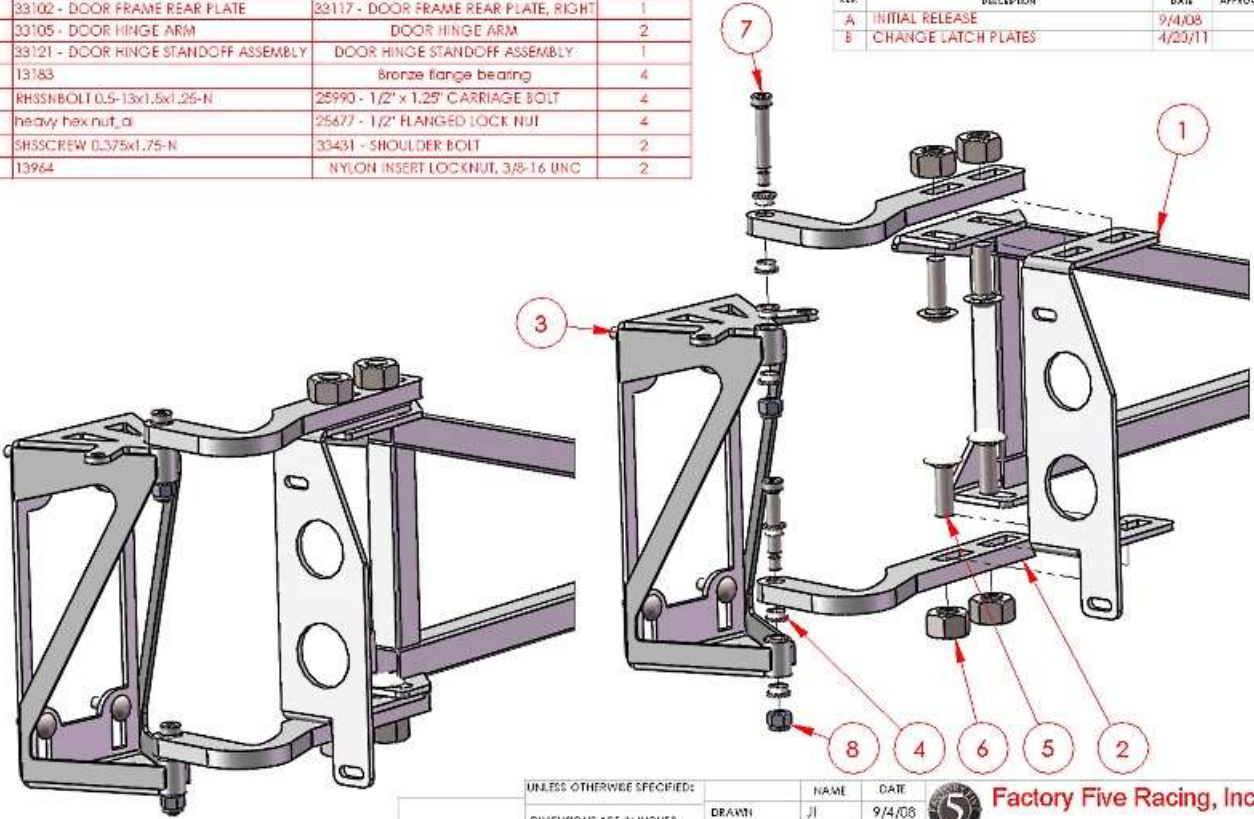
Door

DOOR HINGE FITMENT


🚗 Door hinge assembly

ITEM NO.	PART NUMBER	DESCRIPTION	Default/QTLY.
1	33102 - DOOR FRAME REAR PLATE	32117 - DOOR FRAME REAR PLATE, RIGHT	1
2	33105 - DOOR HINGE ARM	DOOR HINGE ARM	2
3	33121 - DOOR HINGE STANDOFF ASSEMBLY	DOOR HINGE STANDOFF ASSEMBLY	1
4	13183	Bronze flange bearing	4
5	RHSSNBOLT 0.5-1.3x1.5x1.25-N	25990 - 1/2" x 1.25" CARRIAGE BOLT	4
6	heavy hex nut, ai	25477 - 1/2" FLANGED LOCK NUT	4
7	SHSSCREW 0.375x1.75-N	33431 - SHOULDER BOLT	2
8	13964	NYLON INSERT LOCKNUT, 3/8-16 UNC	2

REV.	DESCRIPTION	DATE	APPROVED
A	INITIAL RELEASE	9/4/08	
B	CHANGE LATCH PLATES	4/20/11	



PROPRIETARY AND CONFIDENTIAL
 THE INFORMATION CONTAINED IN THIS
 DRAWING IS THE SOLE PROPERTY OF
 FACTORY FIVE RACING, INC. ANY
 REPRODUCTION IN PART OR AS A WHOLE
 WITHOUT THE WRITTEN PERMISSION OF
 FACTORY FIVE RACING, INC. IS
 PROHIBITED.

UNLESS OTHERWISE SPECIFIED:		NAME	DATE	 Factory Five Racing, Inc.
DIMENSIONS ARE IN INCHES. TOLERANCES: TWO PLACE DECIMAL ±0.01 THREE PLACE DECIMAL ±0.005 FOUR PLACE DECIMAL ±0.001		DRAWN JI	9/4/08	
MATERIAL		COMMENTS		TITLE RIGHT SIDE DOOR FRAME
FINISH		SIZE	DWG. NO.	REV
USED ON		A	33499 - RIGHT SIDE DOOR	B
APPLICATION DOOR	PRINTED	3/4/2016		SCALE: 1:3.5 WEIGHT: SHEET 3 OF 3

HOOD HINGE STRIKER



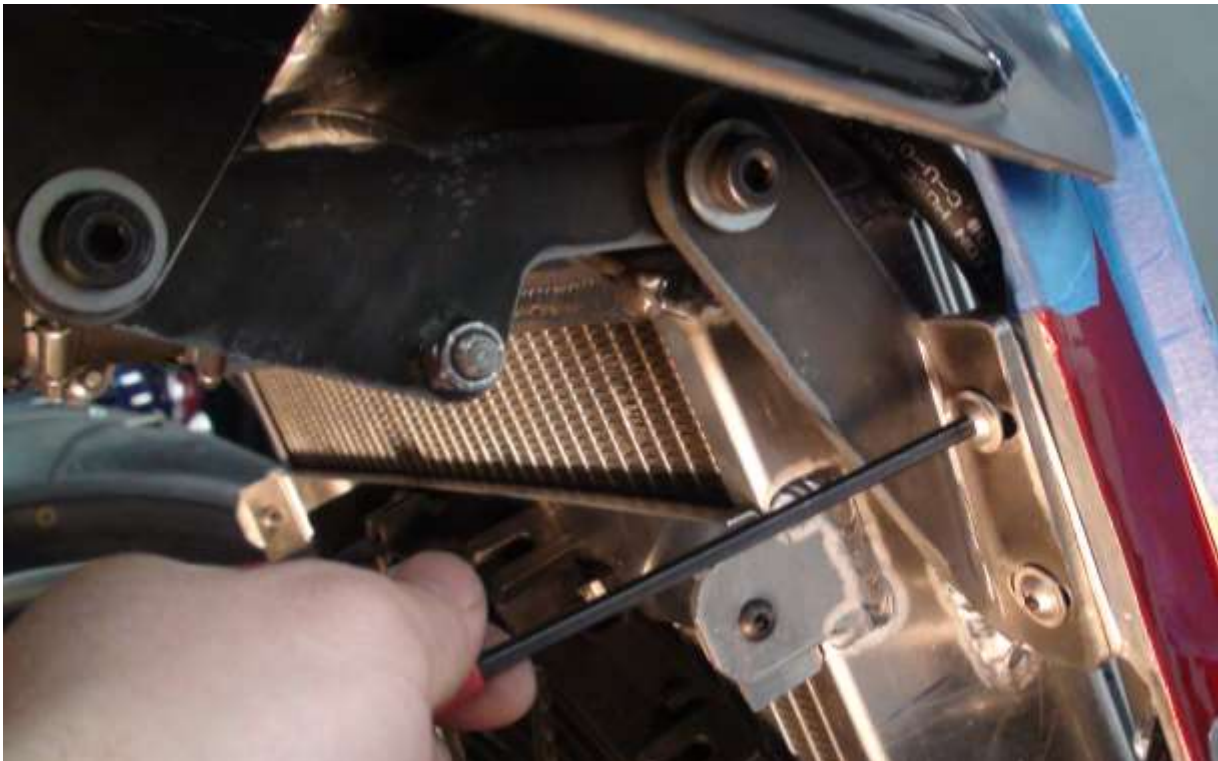
Mount the striker to the bracket.



Push the striker down into the latch.

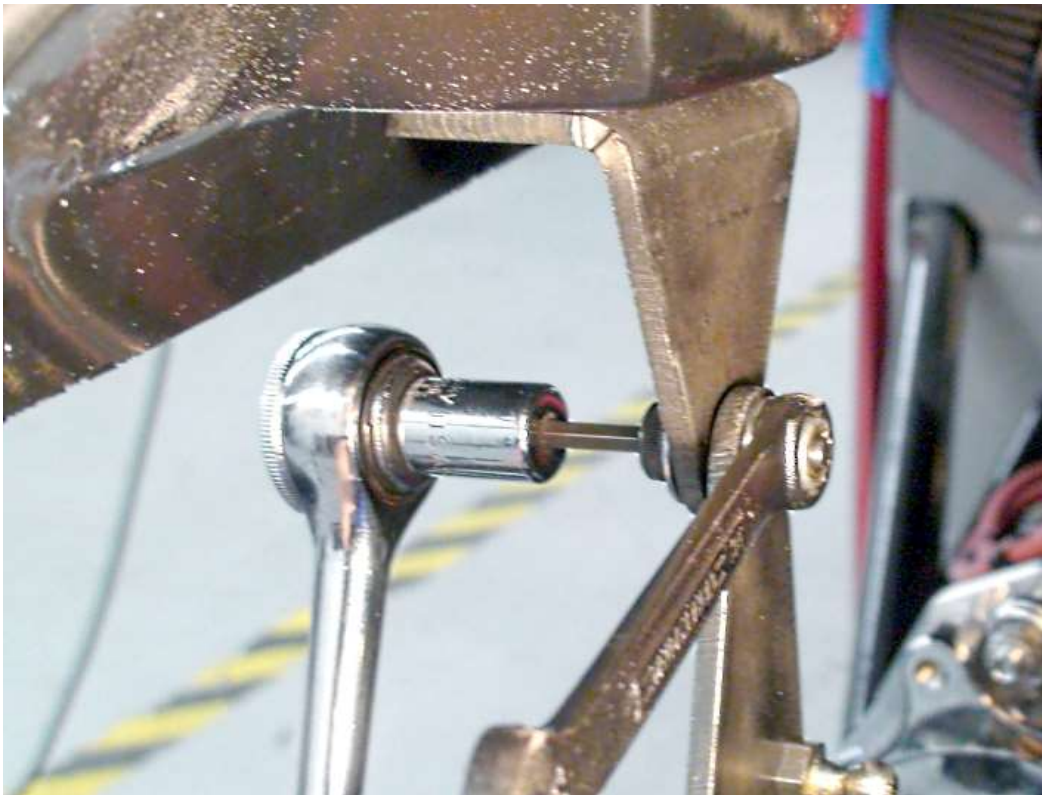


Place the hood on the car and attach the hood mount to the hood finger tight to allow for adjustment.



Properly align hood and then tighten up the mounting bolts starting with the Radiator mounts first then the hood mounts. With the striker engaged in the latch, place latch bracket up to hood and mark the hood. Make sure the striker will clear the Grill when opening.

👉 It may be necessary to drill new holes and trim the top of the latch to ensure good striker alignment.



Remove both upper hinge pins and remove the hood.



Drill the hood striker bracket holes and install $\frac{1}{4}$ "-20 riv-nuts in the hood.



Mount the hood striker bracket to the hood loosely to allow for adjustment.