



Factory Five Racing, Inc.

Part Number: 35080

Revision: A

Effective Date: 07/15/15

By: J. INGERSLEV

RHD Hot Rod/Truck

INSTALLATION INSTRUCTIONS

Table of Contents

Parts needed..... 1

Tools Needed..... **Error! Bookmark not defined.**

Engine preparation..... **Error! Bookmark not defined.**

Accelerator Pedal preparation..... **Error! Bookmark not defined.**

Assembly **Error! Bookmark not defined.**

 Aluminum..... **Error! Bookmark not defined.**

 Accelerator pedal..... **Error! Bookmark not defined.**

 Pedalbox..... **Error! Bookmark not defined.**

Parts needed

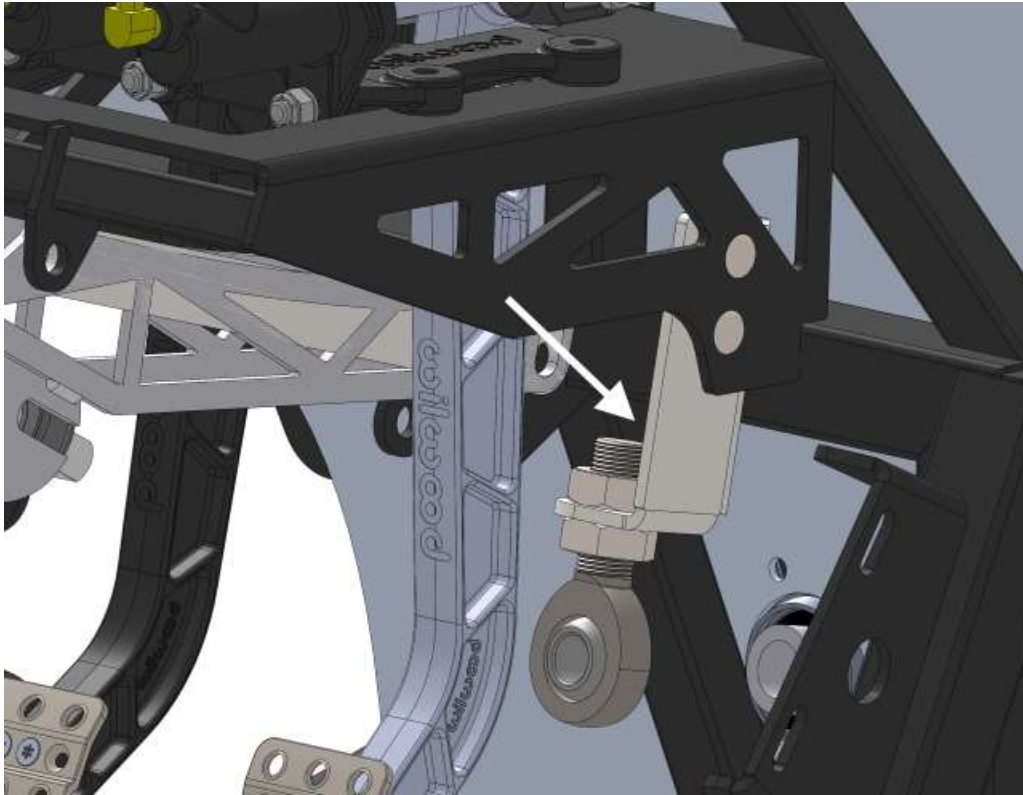
RHD Components 34997

Hydraulic throw out bearing kit or automatic transmission



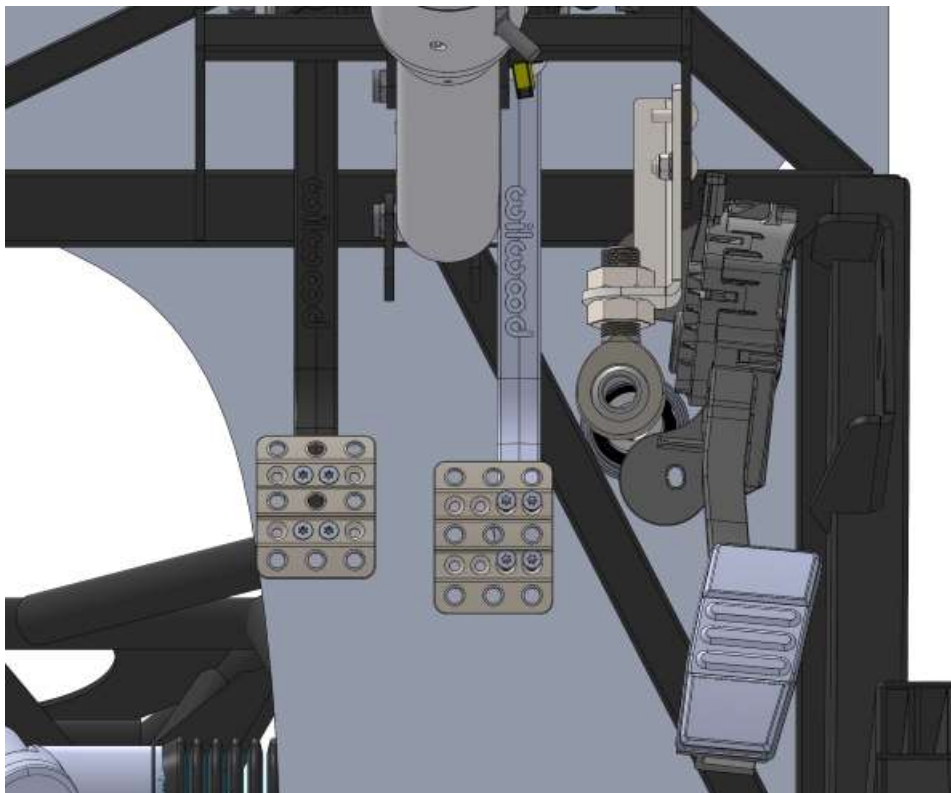
Follow the instructions for building the kit, the differences are in the steering shaft and rack

Rod end support



Attach the steering rod end mount with rod end and jam nuts to the pedalbox using the 1/4" carriage bolts.

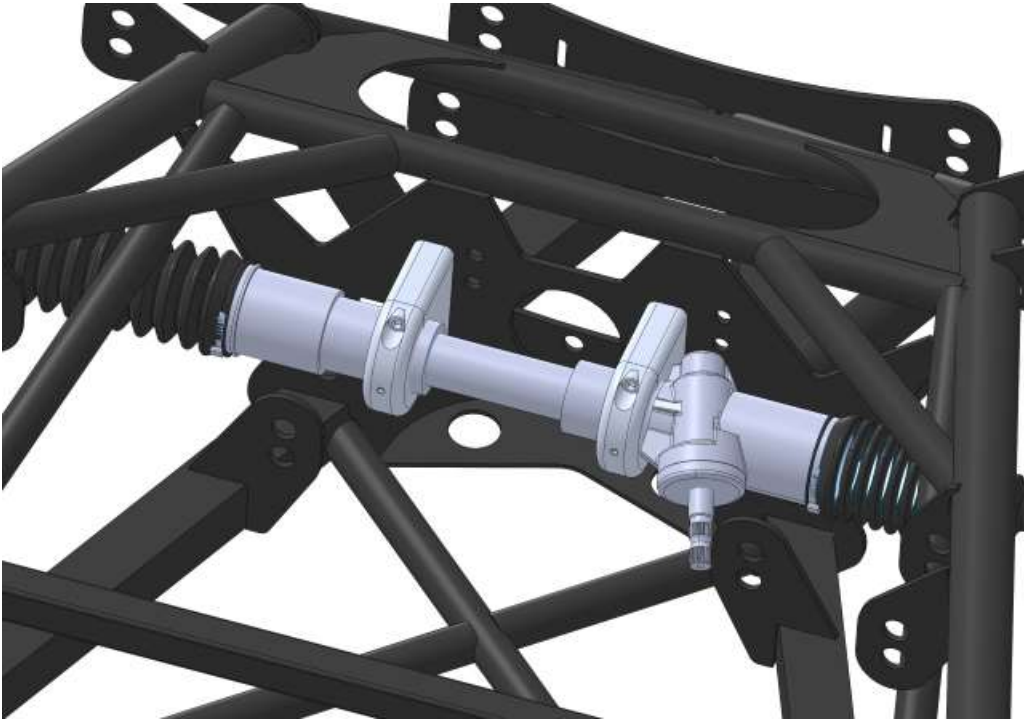
Accelerator pedal



Mount your accelerator pedal to the right of the rod end support. Coyote pedal shown.

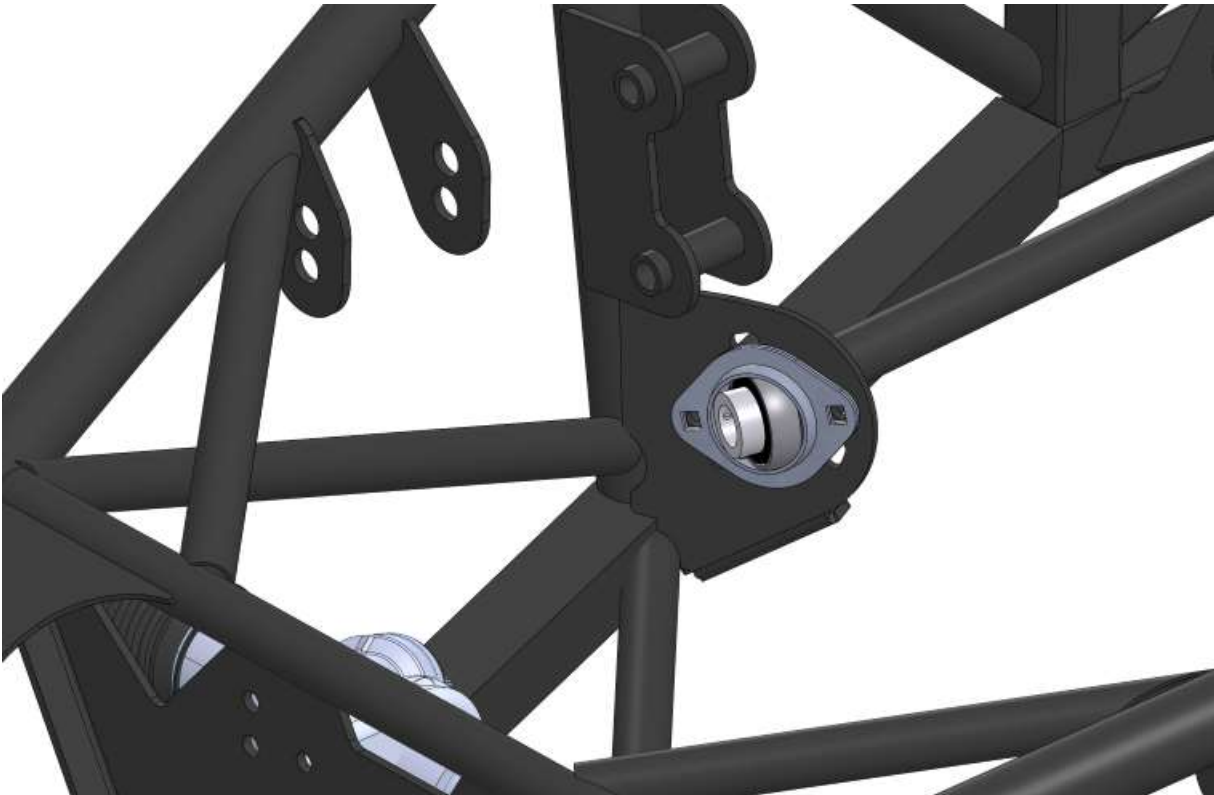
Steering rack

✂ Loctite, $\frac{5}{16}$ " Hex key

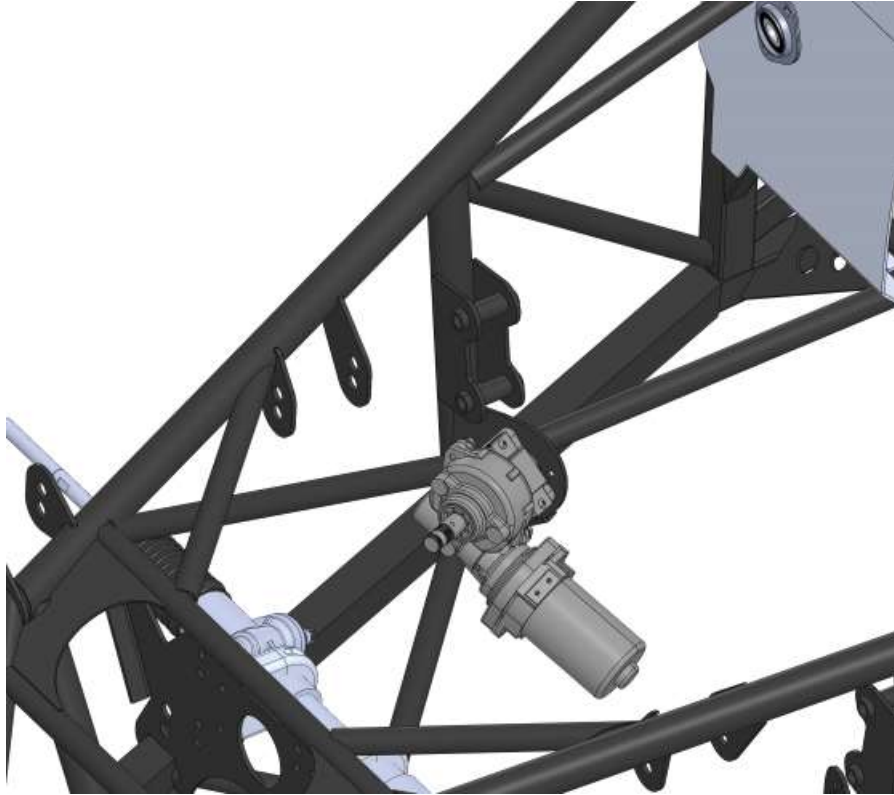


Bolt the steering rack and mounts to the frame using $\frac{3}{8}$ " x 1" socket head screws, Loctite and $\frac{5}{16}$ " hex key.

Lower steering bearing/electric steering

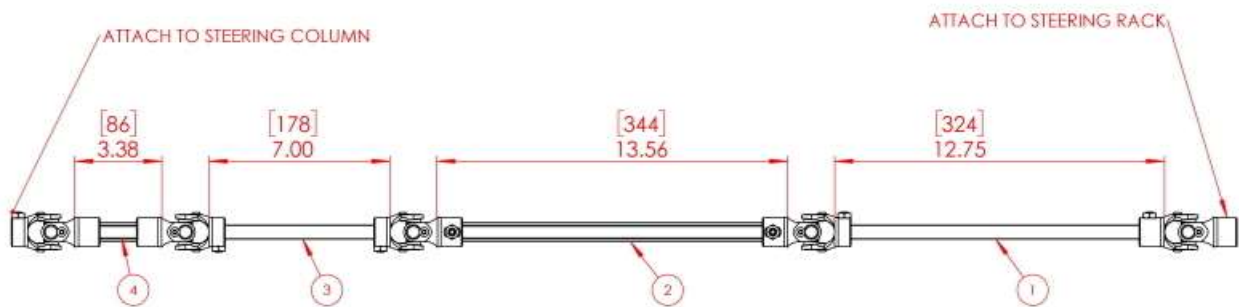


Attach the lower steering bearing to the mount if running manual steering.



If running electric steering, attach the motor to the front side of the bearing mount. Depending on the engine/oil pan combination, the motor may need to be clocked differently.

Steering shaft



- SHAFTS MUST BE CUT TO LENGTH
- MANUAL STEERING ONLY
- ELECTRIC STEERING REQUIRES SHORTER SHAFT 1



Install the engine bay steering shafts and joints.



Attach the inside shafts and joints. Picture does not show the rod end installed. The Rod end must be installed.

