



Factory Five Racing, Inc.

Part Number: 13591

Revision: P

Effective Date: 3/31/21

By: J. INGERSLEV

Windshield Wiper

Installation Instructions



INSTALLATION INSTRUCTIONS 1

WIPER WHEELBOX MOUNTING LOCATIONS 4

Mk1, 2, 3..... 4

Mk 4 and 289..... 5

TEST FIT THE WHEELBOXES 6

LOCATE THE WIPER MOTOR 7

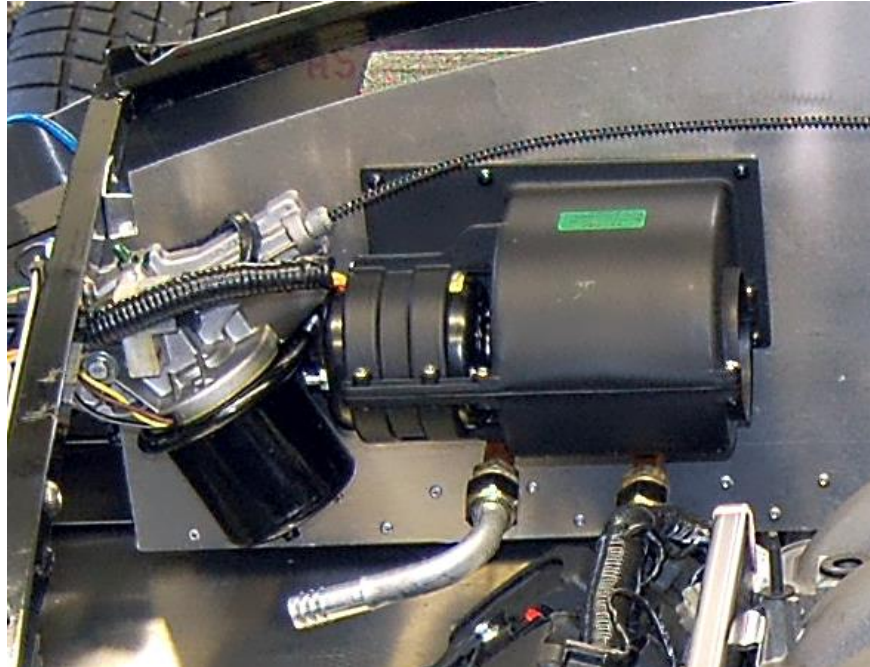
DRIVE CABLE TUBING 8

WIRING 12

WIPER ARMS/BLADES 13

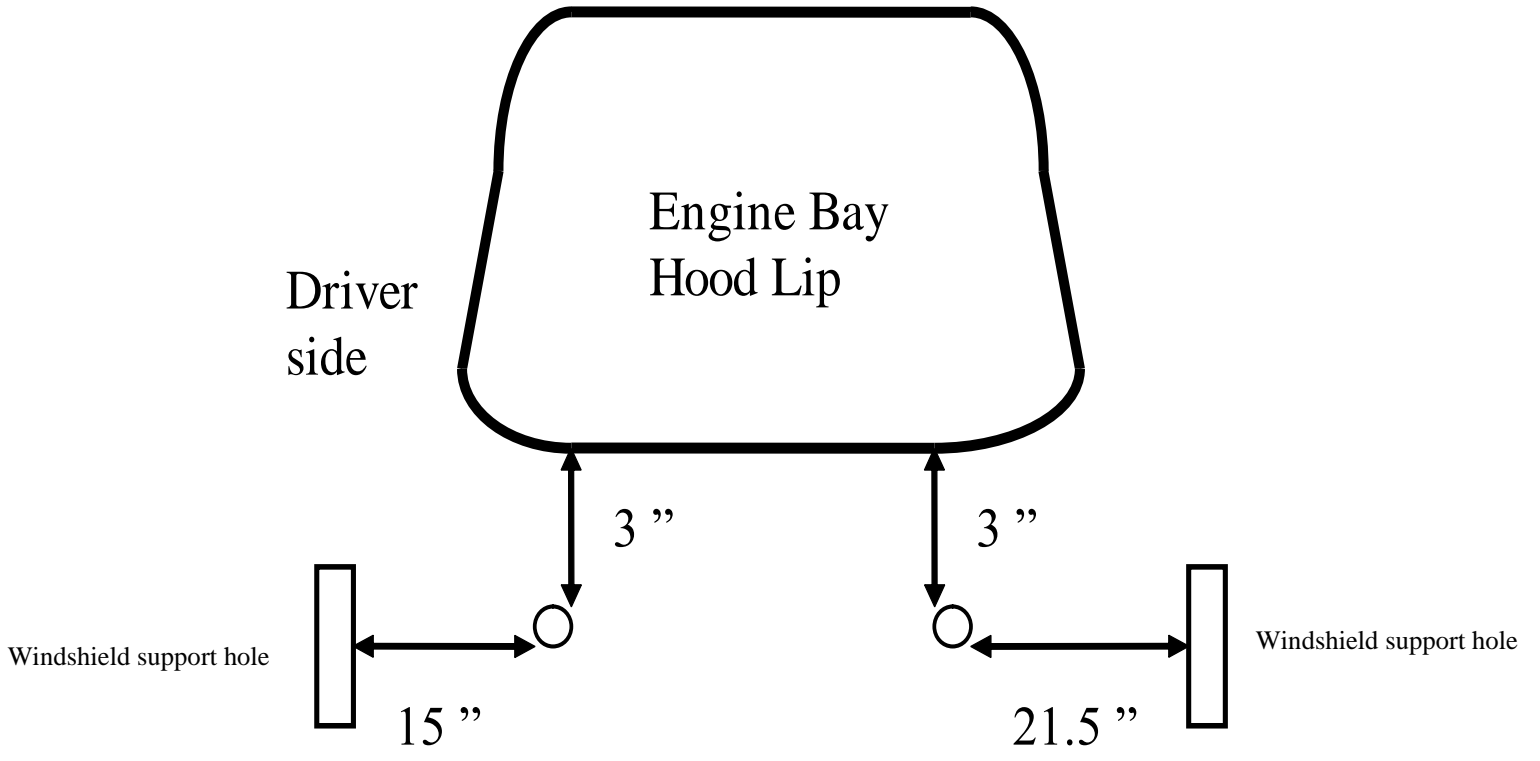


- ✂ Tubing cutter, Tube flaring tool, Wire crimper, Volt meter, Ruler/tape measure, Drill, Marker, $\frac{5}{16}$ " , $\frac{5}{8}$ " drill bits, Clamp, Masking tape, Wire cutter, Flat head screwdriver, $\frac{1}{2}$ " , 21mm wrenches, chassis grease.



- ✋ If installing the heater/defroster option, install the heater before installing the wipers. The motor location is then dictated by the heater and should be located to the outside of the heater.
- ✋ The Mk 4 and 289 differs in the location of the wheelbox holes only.

Place two strips of 2" Masking tape across the body in front of the windshield area.



Wiper Wheelbox mounting locations

Mk1, 2, 3



With the hood open, use the diagram above to locate the wiper drilling tool on the cowl from the hood lip and the inside of the windshield mount holes, the tool will go over the body hood lip.

Once located, clamp the tool in place.

Drill $\frac{5}{8}$ " holes using the Wiper hole tool as a guide for the angle necessary for the wheelboxes.

MK 4 AND 289



Mark the wiper tool $\frac{7}{8}$ " from the inside of the bend



With the hood open, use the wheelbox diagram above to locate the wiper drilling tool on the cowl from the windshield slots only, not from the engine bay. The tool will go over the body hood lip and get aligned with the marks just made.

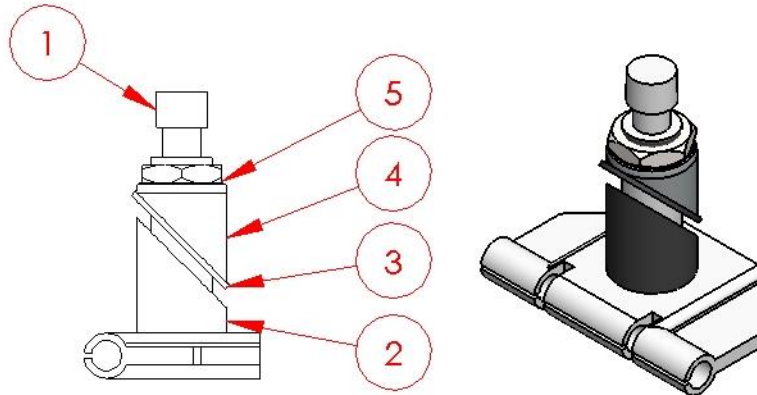
Once located, clamp the tool in place.

Drill $\frac{5}{8}$ " holes using the Wiper hole tool as a guide for the angle necessary for the wheelboxes.

Bend the tubing slightly to match the curve of the cowl.

Test fit the wheelboxes

| ITEM NO. | PART NUMBER | DESCRIPTION | QTY. |
|----------|-------------|--------------------------|------|
| 1 | 11278 | WHEELBOX | 1 |
| 2 | 11283 | WIPER BASE SLEEVE | 1 |
| 3 | 11282 | WIPER BASE RUBBER GASKET | 1 |
| 4 | 11284 | CHROME WIPER BASE | 1 |
| 5 | WIPER NUT | WHEELBOX NUT | 1 |



Slide the angle cut rubber sleeve onto the wheel box and then slide the wheelbox through the hole in the body. You may need to test fit this in the body a few times to ensure the proper angle.

Place the gasket down on top of the body followed by the chrome base and nut.

Locate the Wiper motor



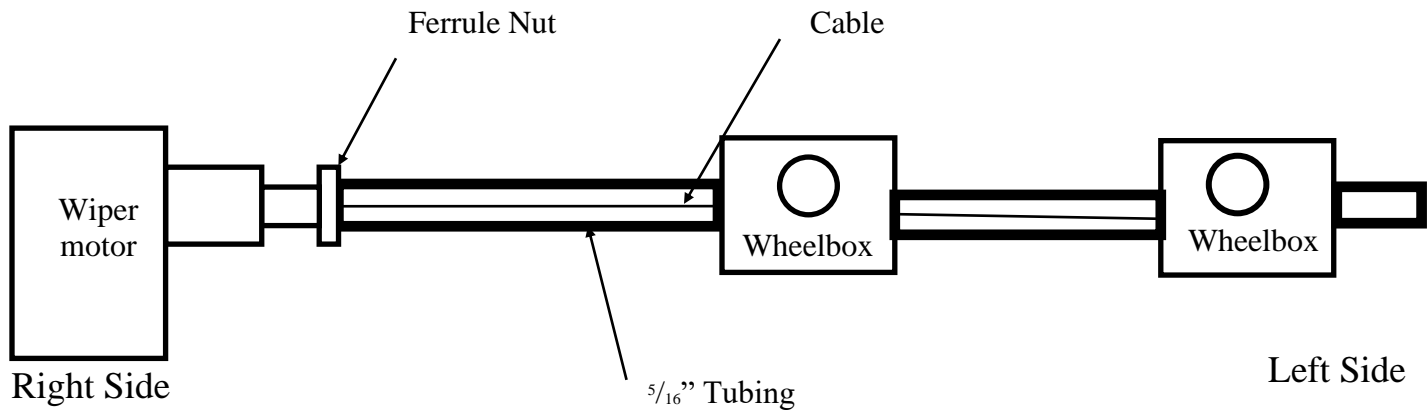
Twist the wheel boxes so that the cable mount is on the front side of the wheelbox and they are in line with each other and are pointing towards the wiper motor.



Using the wiper cable as a guide, locate the motor mounting location on the right side of the firewall so that the curve is easy or so that it is on the outside of the heater if being installed.

Mark the firewall for the wiper motor with the cable pointing up toward the wheel boxes.
Drill the holes in the firewall.
Mount the wiper motor with the clamp provided.

Drive cable tubing



Place the Ferrule nut on one of the tubes.

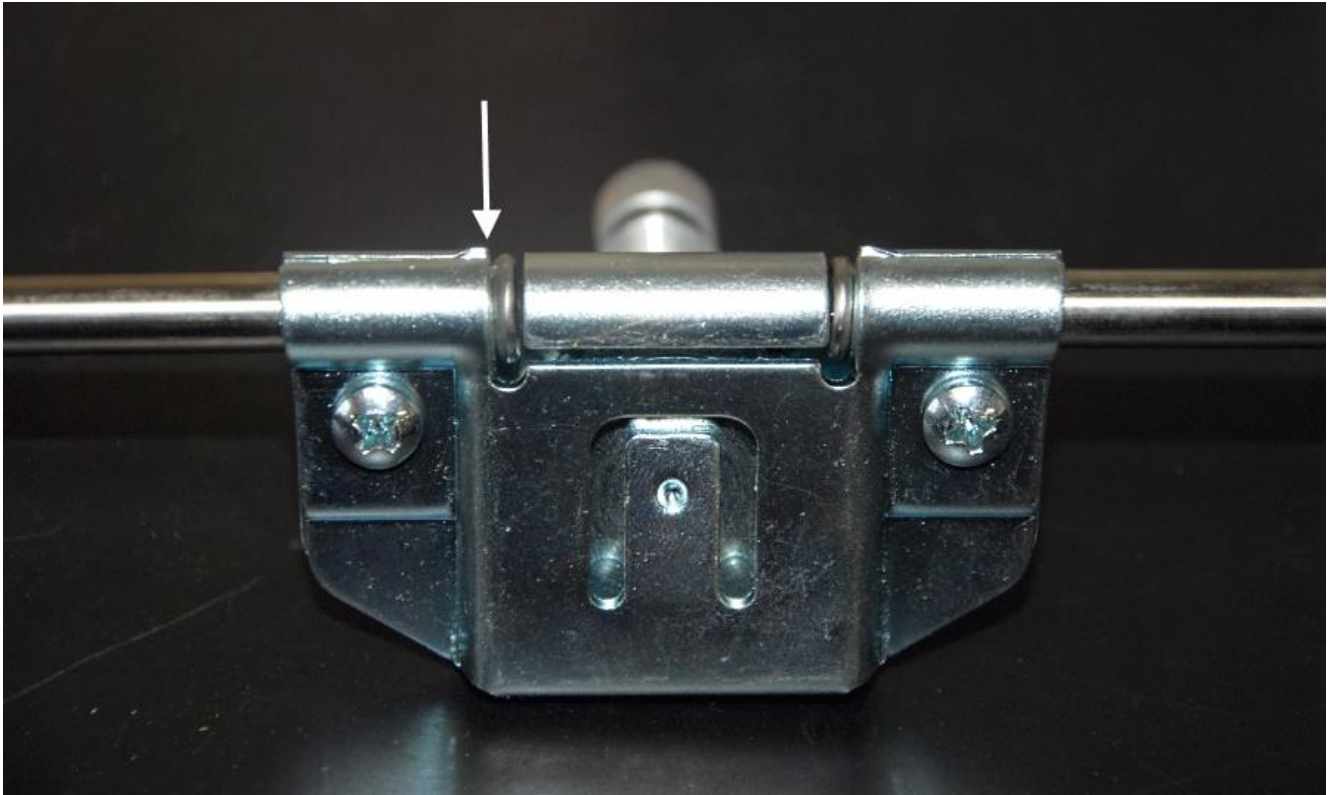


Bend the tube so that the tube will smoothly go up to the first wheelbox.



Insert the wiper drive cable into the tube with the ferrule on from the flared tube end and slide the tube down to the motor and attach the nut to the motor.

Aim the tube so that it goes next to the wheelbox.



Mark the tube at the point shown. This is where the flare will need to start.

On your flaring tool find the extra length needed to form the flare.

Remove the tube from the motor and mark the tube with the extra flare length.

Cut the tubing on the unflared end to the length required.

Flare the end of the tube.

Reattach the tube to the motor and attach the other end to the wheelbox.

Put a slight bend in the remaining tube to match the radius of the body between the wheelboxes.

Insert the end of the cable into the flared end of the remaining tube and slide the tube down to the wheelbox.



Attach the flared end to the wheel box so now the wheelbox looks like the picture above.

Mark the tube the same way the first tube was marked.

Remove the tube from the wheelbox and mark the tube with the extra flare length.

Cut the tubing on the unflared end to the length required.

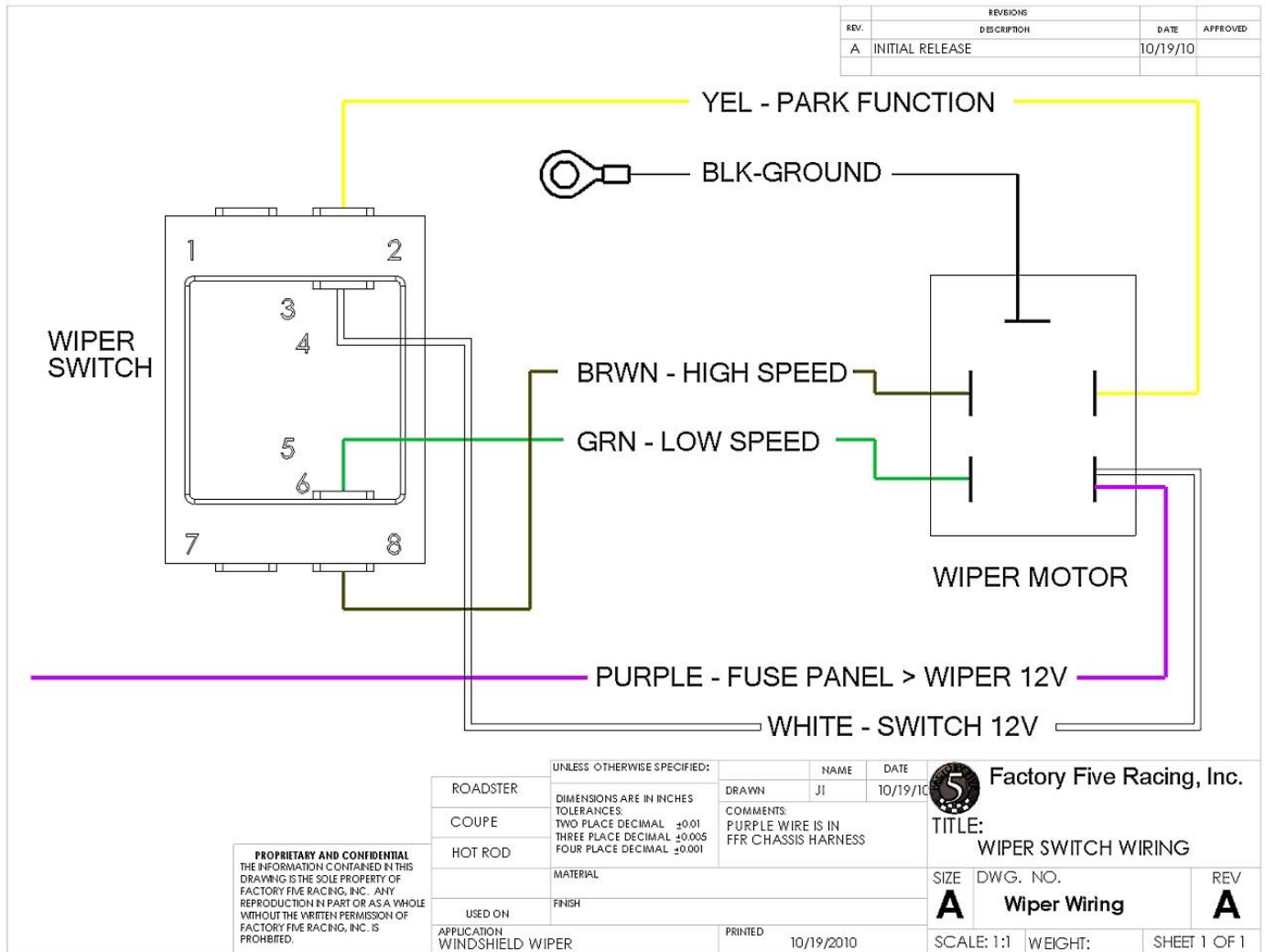
Flare the end of the tube.

Flare the end of a short piece of tubing so that it is approximately 4" long.

Lubricate the wiper cable with chassis grease.

Install the tubes with a 4" section on the far side of the second wheelbox so that the cable is always covered.

Wiring



The wiper motor included in the kit has two speeds. Use the wiring diagram to wire the switch and motor together..

- 👉 If using a Mustang harness, connect the “WIPER 12V” to the Mustang wiper power in the fuse panel otherwise connect to the chassis harness wiper wire.
- 👉 At 12 volts, the low speed uses 1.5 amps and the high speed uses 2.0 amps.

Test run the motor without blades in low, high and park. Make sure the wheelboxes are turning the correct direction when starting from the parked position. If they are not, take the back cover off the wheelbox, remove the tubes and cable, loosen the wheelbox nut and turn the wheelbox around then reinstall the cable and tubes.

Remove the cover of the left side wheelbox (furthest from the motor).

With the motor parked, use a pair of wire cutters or a cut off wheel to cut the wiper cable so that it extends into the short tube section 0.50”.

Reattach the wheelbox cover.

Wiper arms/blades

Attach the wiper blades to the wiper arms.

With the motor in the park position, push the wiper arms onto the wheelboxes so the blades are just on the glass at the bottom.

Spray some water on the windshield and on the slow speed, test the wipers.